

## Typhoon 25



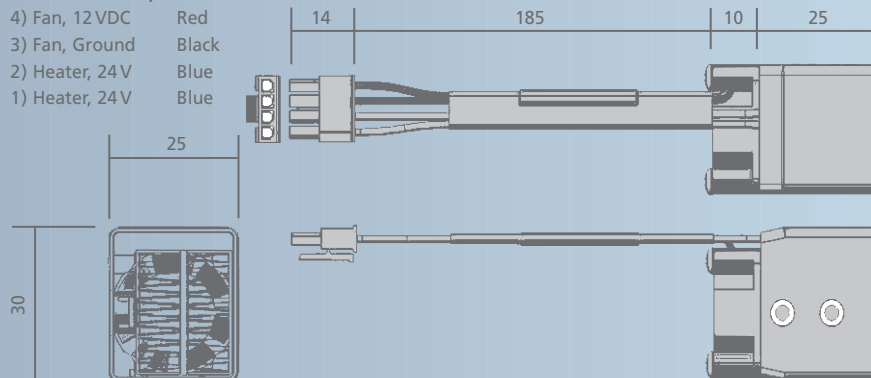
Leadwire Length not shown to scale

Type	Typhoon 25 10 W	Typhoon 25 20 W	Typhoon 25 40 W	Typhoon 25 Heaterless
Nominal Power Output at 10°C	10 W	20 W	40 W	Heaterless
Typical Peak In-rush Current at 24 VAC (Arms)	1.2	2.6	5.5	Heaterless
Nominal Input Voltage Heating Element (V)	24	24	24	12 VDC
Nominal Input Voltage Fan (V)	12 VDC	12 VDC	12 VDC	
Max. Body Temperature (25°C Ambient) (°C)	40	50	90	
Operating Temperature Range (°C)	-10°C to +50°C	-10°C to +50°C	-10°C to +50°C	
Storage Temperature Range (°C)	-40°C to +70°C	-40°C to +70°C	-40°C to +70°C	
Fan Lifetime (MTTF at 45°C) (hr)	70.000	70.000	70.000	
Fan Volumetric Flow (at 12 VDC) (m³/hr)	3.26	3.26	3.26	
Weight (g)	30	30	30	
Dimensions	Cross Section (mm)	25 x 30	25 x 30	
	Length (mm)	37	37	
Harness Length (mm)	185	185	185	
Electrical Protection Class	SK III / SELV	SK III / SELV	SK III / SELV	
Recommended fuse (time delay) (A)	2,5	5	8	

Note: All data are for unit operated in vertical orientation, with T&T fan as standard.

### Connector Pin Inputs

- 4) Fan, 12 VDC Red
- 3) Fan, Ground Black
- 2) Heater, 24 V Blue
- 1) Heater, 24 V Blue



CE   
Approvals pending

DBK David+Baader GmbH

Components

Rheinstrasse 72 - 74  
D - 76870 Kandel

Phone: + 49 (0) 72 75 7 03 - 231  
Fax: + 49 (0) 72 75 7 03 - 249

info@dbk-group.de  
www.dbk-components.com